



---

MEDICAL LED LAMP

**ACEMST1**



---

## ACEMST1

IS THE NEW LED LIGHT MANUFACTURED BY ACEM SUITABLE FOR SEVERAL MEDICAL SPECIALTIES: DERMATOLOGY, GENERAL MEDICINE, GYNECOLOGY, DENTISTRY. IT IS ADAPTABLE FOR UNIVERSAL APPLICATIONS AND ITS ILLUMINATION IS PERFECT FOR EACH KIND OF EXAMINATION; IT IS IDEAL FOR DIAGNOSTICS, COSMETIC MEDICINE, FIRST AID, RECOVERY ROOM AND AS BED HEAD LIGHT. **ACEMST1** IS AVAILABLE IN DIFFERENT COLOURS ACCORDING TO TASTES AND FIELD OF APPLICATION.

---

ACEMST1



**ACEMST1** contains all the advantages of LED technology and is suitable for multipurpose uses thanks to its flexibility.

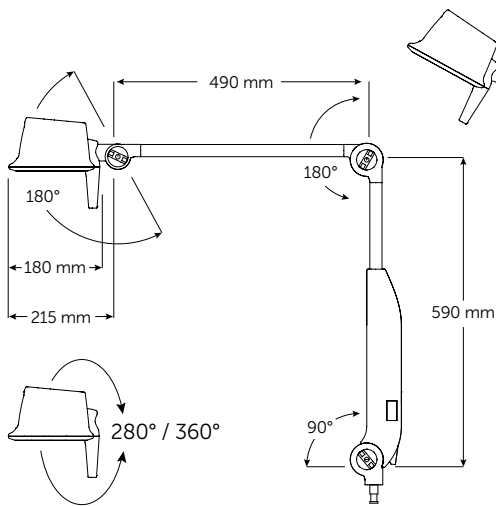
**The lamp assures:**

- HIGH LIGHT INTENSITY
- IR-FREE LIGHT BEAM
- VARIABLE COLOUR TEMPERATURE (CCT)
- HIGH COLOUR RENDERING INDEX (CRI)
- LONG LIFE
- LOW POWER CONSUMPTION

**ACEMST1** has a compact and functional design.

The lamp:

- has a smooth easy-to-clean and disinfect surface to assure an excellent cleanliness
- is easy to move and its double balancing system assures stability and accuracy for the whole time of use once positioned
- has a wide rotation and movement range

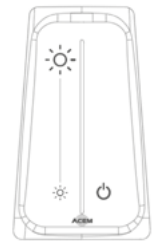
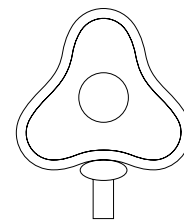


According to needs, the lamp is available in two versions:

### ACESMST1.1

The touch panel controls all the functions of the lamp:

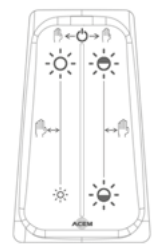
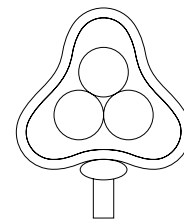
- On / Off
- Light intensity adjustment



### ACESMST1.3

Through touch control panel (or **Gesture Control** mode) it is possible to manage all the functions of the lamp:

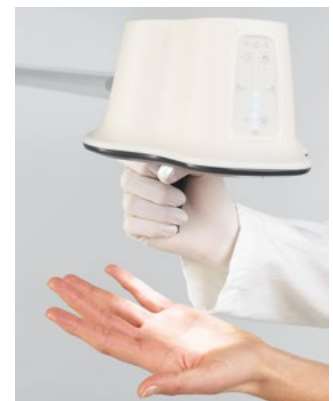
- On / Off
- Light intensity adjustment (**stepless**)
- Colour temperature adjustment (**stepless**)



COLOUR TEMPER.: **3.000 K**



COLOUR TEMPER.: **4.200 K**



COLOUR TEMPER.: **5.500 K**

# TECHNICAL SHEET

## ACEMST1.1

Power supply input voltage	100-240 Vac - 50/60 Hz
Protection class (EN 60601-1)	I (ceiling configuration) II (all other configurations)
Power consumption	10 VA
Maximum light intensity, E <sub>c</sub>	18.000 LUX @ 100 cm 60.000 LUX @ 50 cm
Light intensity adjustment	FROM 20 % TO 100 % Stepless
Light field diameter (d10)	26 cm
Colour Temperature, CCT	4.300 K
Colour Rendering Index (Ra/R9/R13)	98/90/100
LED average life	60.000 HOURS ABOUT
Light head diameter	18 cm

## ACEMST1.3

Power supply input voltage	100-240 Vac - 50/60 Hz
Protection class (EN 60601-1)	I (ceiling configuration) II (all other configurations)
Power consumption	12 VA
Maximum light intensity, E <sub>c</sub>	30.000 LUX @ 100 cm 100.000 LUX @ 50 cm
Light intensity adjustment	FROM 20 % TO 100 % Stepless
Light field diameter (d10)	26 cm
Colour Temperature, CCT	From 3.000 K to 5.500 K Stepless Adjustable
Colour Rendering Index (Ra/R9/R13)	98/90/100
LED average life	60.000 HOURS ABOUT
Light head diameter	18 cm

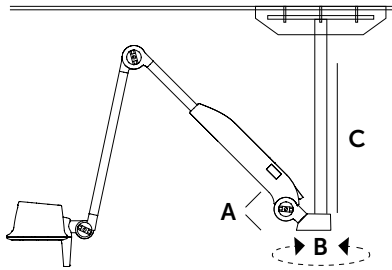
E.S.O.E.

Colour combinations:

White RAL 9010  
  Green RAL 6019  
  Blue RAL 5024  
  Pink RAL 4003  
  Light Grey RAL 7035  
  Dark Grey RAL 7016

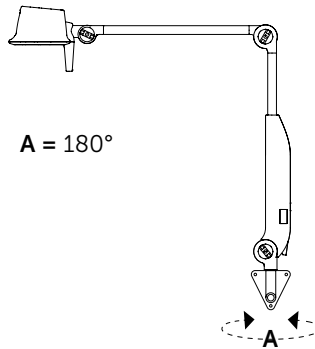
Note: All photometric values are subject to 10% tolerance. All data are according to reference Standard: EN 60601-2-41.

## ACEMST1 IS AVAILABLE IN THE FOLLOWING CONFIGURATIONS



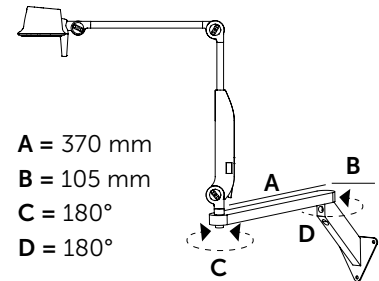
A = 90° (±45°)   B = 360°  
C = FROM 250 mm TO 1.100 mm

**CEILING MOUNTED\***



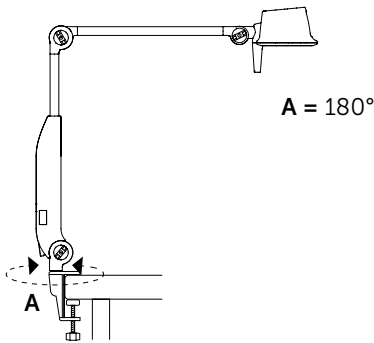
A = 180°

**WALL MOUNTED**



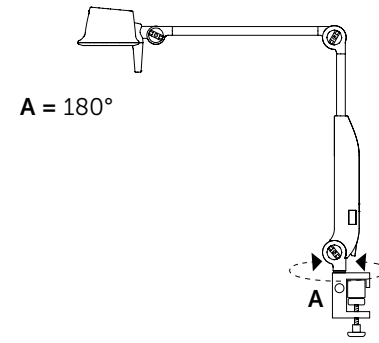
A = 370 mm  
B = 105 mm  
C = 180°  
D = 180°

**WALL MOUNTED  
WITH EXTENSION ARM**



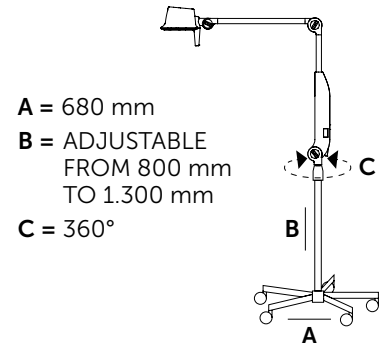
A = 180°

**TABLE MOUNTED**



A = 180°

**RAIL MOUNTED**



A = 680 mm  
B = ADJUSTABLE  
FROM 800 mm  
TO 1.300 mm  
C = 360°

**ADJUSTABLE -  
TROLLEY MOUNTED**

\* Only for articulated arm version. All other configurations are available for articulated or flexible arm.

# ACEMST1

ACEM IS A REGISTERED TRADEMARK OF ACEM S.P.A.  
ACEM ALL RIGHTS RESERVED  
ACEM RESERVES THE RIGHT TO MODIFY THE DESIGN  
AND SPECIFICATIONS CONTAINED HEREIN WITHOUT ANY PRIOR NOTICE

DEP.ACEMST1.EN r2201

---

☒

☒☒☒☒

☒

☒

1☒

☒OGPTWNBPN

☒.